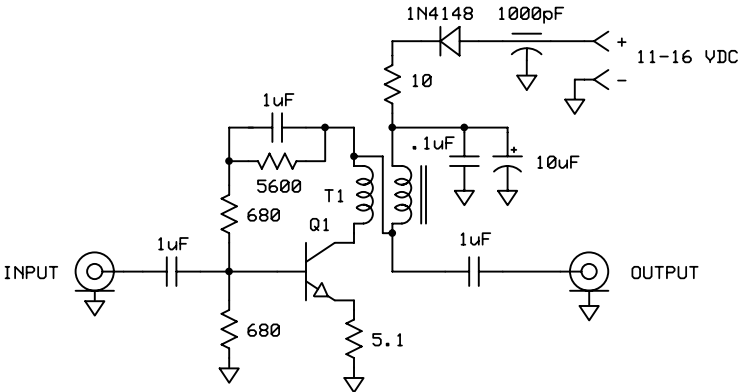


LF MF HF PREAMPLIFIER
 100kHz-30MHz 2.5dB NF 20dB GAIN
 50 OHM INPUT/OUTPUT IMPEDANCE



Q1 - LT1001A, 2N3866 or 2N5109 - heat sink required
 T1 - 30T #34 bifilar FT-37-77