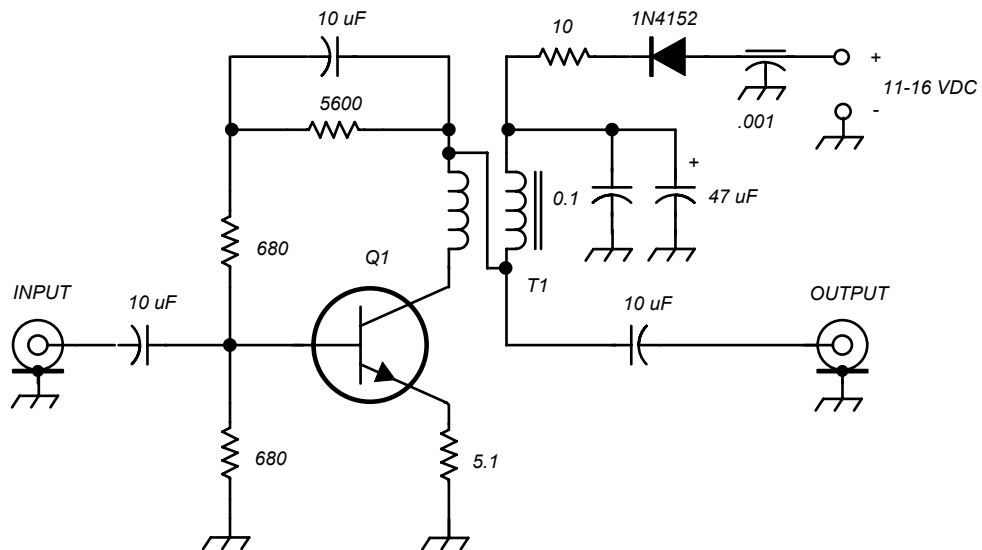


**LF MF PREAMPLIFIER**  
**10 kHz - 20 MHz 2.5 dB NF 20 dB GAIN**  
**50 OHM INPUT / OUTPUT IMPEDANCE**



Q1 - LT1001A or 2N3866, heatsink required  
T1 - 56 turns # 34 bifilar on PC-1107-77 pot core  
10 uF capacitors are non polar

Jay Rusgrove W1VD 11/06